

# FECO

FENCE SYSTEMS

0800 FENCING  
336246

[sales@feco.co.nz](mailto:sales@feco.co.nz)



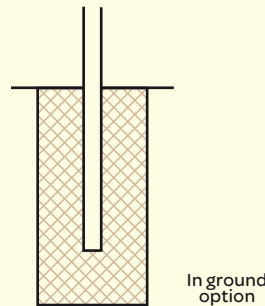
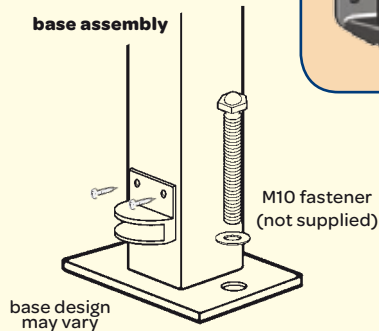
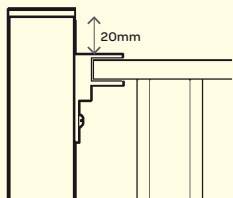
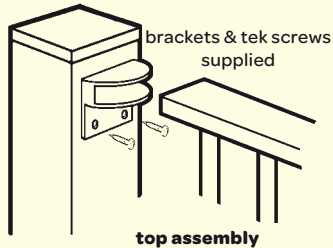
POOL FENCING/BOUNDARY FENCING

# Pool Fencing

All fencing designed to comply with New Zealand Safety Standards  
Available in Powder Coated Aluminium

## FENCE POSTS

Standard Posts are 50x50mm square.  
Short post with base plates for bolting down.  
Long posts to concreted into the ground.  
Post Caps are flat top.



## FENCE PANELS

Standard height 1200mm minimum.  
All panels are custom built to your fence requirements  
Panel length are 2400mm, we can custom make panels (sloping or smaller sizes).



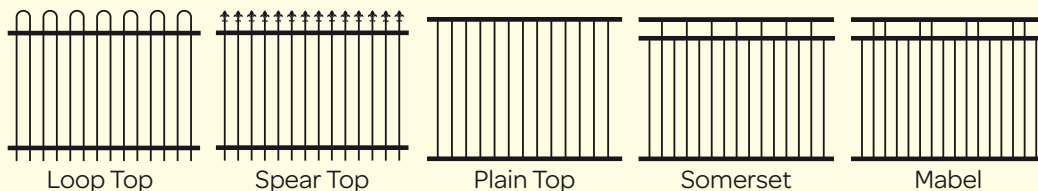
## SPEAR HEAD OPTIONS

## GLASS FENCING PANELS

Glass panels are becoming increasingly popular now due to the many advantages they have.  
The main styles are frameless and semi-frameless.



## FENCE DESIGN OPTIONS



COLOUR OPTIONS - These colour samples are not identical to the finished product, but as close to the colour as modern printing allows. Please obtain a sample from your stockist.

Lignite 6071	Black 5069
Mist Green 3037	Almond 8003
Denim Blue 4002	White Titania 9031
Bond Rivergum 52047	Primrose 32546
Wizard 50283	Karaka 3079
Grey Ferris 6058	Earth 7037
Tuscan Red 0044	Hawthorn Green 33709
Scoria 7035	White 9011
Terracotta 00879	Anotec A8015
Wedgewood 50279	Olde Pewter 50243



Phone: 0800 FENCING  
Levin

## Your Responsibility & the Law

You are required by the Swimming Pools Act 1987 and the New Zealand Building Code, to fence your pool and the surrounding area to meet the requirements of your local Council.

- it is your responsibility as a pool owner to register this with your local council
- you are responsible as a pool owner to see that you have complied with the Swimming Pools Act 1987
- you cannot fill your pool until you have approval from your council

Any questions on the law, contact your local council.

Agent: